

# AC 3E



## SIZE :

80x80x38mm (3.15"x3.15"x1.50")

## CONSTRUCTION :

- All metal
- Die-cast aluminum housing
- Metal impeller
- Shaded pole motor
- Impedance protected
- Leader wire available

## OPERATING TEMPERATURE :

Ball bearing - 30°C to +75°C  
Sleeve bearing - 10°C to +70°C

## WEIGHT :

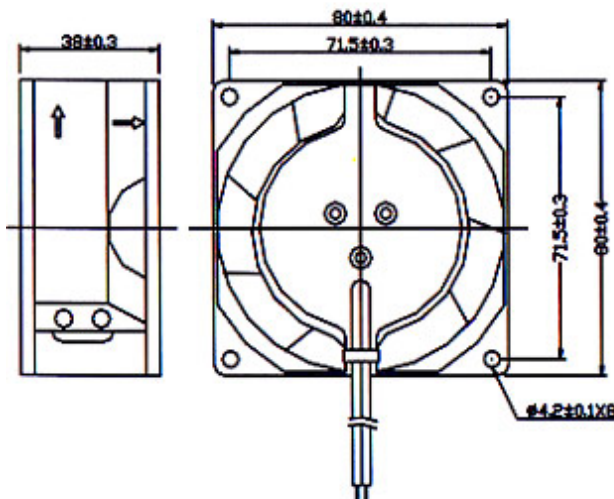
420 grams

## Specifications

Specifications are subject to change without notice

MODEL NO.	BEARING	RATED VOLTAGE	FREQUENCY	MAX. RATED CURRENT	MAX. INPUT POWER	SPEED	MAX. AIR FLOW		MAX. AIR PRESSURE		NOISE
		VAC	Hz	mA	W	R.P.M.	m <sup>3</sup> /min	CFM	mmH <sub>2</sub> O	IN H <sub>2</sub> O	
3E-115B-20	Ball	115	50/60	120/110	10/9	1750/2000	0.51/0.59	18/21	1.95/2.35	0.08/0.09	23/26
3E-115S-20	Sleeve										
3E-230B-20	Ball	230	50/60	75/70	12/11	1750/2000	0.51/0.59	18/21	1.95/2.35	0.08/0.09	23/26
3E-230S-20	Sleeve										
3E-115B-25	Ball	115	50/60	130/120	10/9	2150/2500	0.62/0.74	22/26	2.99/3.43	0.09/0.13	27/31
3E-115S-25	Sleeve										
3E-230B-25	Ball	230	50/60	85/75	13/12	2150/2500	0.62/0.74	22/26	2.99/3.43	0.09/0.13	27/31
3E-230S-25	Sleeve										
3E-115B-28	Ball	115	50/60	130/120	11/10	2400/2800	0.71/0.82	25/29	3.73/4.50	0.15/0.18	30/37
3E-115S-28	Sleeve										
3E-230B-28	Ball	230	50/60	85/75	13/12	2400/2800	0.71/0.82	25/29	3.73/4.50	0.15/0.18	30/37
3E-230S-28	Sleeve										
3E-115B	Ball	115	50/60	140/130	11/10	2700/3100	0.74/0.91	26/32	2.90/3.40	0.11/0.13	31/34
3E-115S	Sleeve										
3E-230B	Ball	230	50/60	85/75	13/12	2700/3100	0.74/0.91	26/32	2.90/3.40	0.11/0.13	31/34
3E-230S	Sleeve										
3E-DVB	Ball	230/115	50/60	80/150	13/13	2700/3000	0.79/0.91	26/32	2.90/3.40	0.11/0.13	33/38
3E-DVS	Sleeve										

## Dimensions (mm)



## Performance Curve

