



**SIZE :**

80x80x25mm (3.15"x3.15"x0.98")

**CONSTRUCTION :**

Glass fiber reinforced plastic:  
Impeller and housing PBT are UL 94V-0 rating

**OPERATING TEMPERATURE :**

Ball bearing - 30°C to + 75°C  
Sleeve bearing - 10°C to + 70°C

**INSULATION RESISTANCE :**

10meg Ohm min. at 500 VDC  
(between frame and terminal)

**DIELECTRIC STRENGTH :**

5mA max. at 500 VAC 60Hz one minute  
(between frame and terminal)

**FUNCTION :**

auto-restart option  
frequency generator or rotation detection signal option

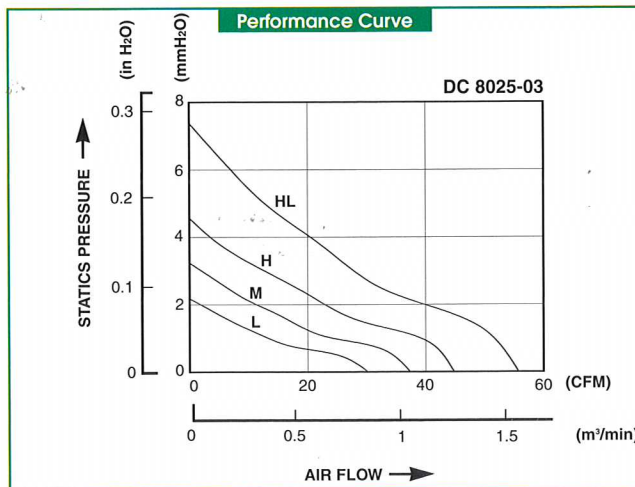
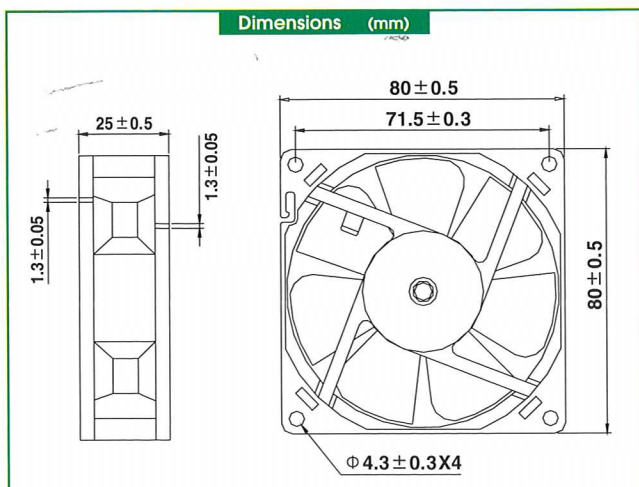
**WEIGHT :**

85 grams

**Specifications**

Specifications are subject to change without notice

MODEL NO.	BEARING	RATED VOLTAGE	OPERATING VOLTAGE RANGE	RATED CURRENT	RATED INPUT POWER	SPEED R.P.M.	MAX. AIR FLOW		MAX. AIR PRESSURE		NOISE dB-A
		VDC	V	A	W		m <sup>3</sup> /min	CFM	mmH <sub>2</sub> O	IN H <sub>2</sub> O	
BP802512L-03	Ball	12	10.2-13.8	0.15	1.8	2100	0.75	26.4	2.13	0.08	23.7
SP802512L-03	Sleeve										
BP802512M-03	Ball	12	10.2-13.8	0.2	2.4	2700	0.96	34	3.16	0.12	32
SP802512M-03	Sleeve										
BP802512H-03	Ball	12	10.2-13.8	0.3	3.6	3300	1.17	41.37	4.38	0.17	36.8
SP802512H-03	Sleeve										
BP802512HL-03	Ball	12	10.2-13.8	0.4	4.8	4000	1.48	52.5	7.1	0.28	41.88
SP802512HL-03	Sleeve										





**SIZE :**

80x80x25mm (3.15"x3.15"x0.98")

**CONSTRUCTION :**

Glass fiber reinforced plastic:  
Impeller and housing PBT are UL 94V-0 rating

**OPERATING TEMPERATURE :**

Ball bearing - 30°C to + 75°C  
Sleeve bearing - 10°C to + 70°C

**INSULATION RESISTANCE :**

10meg Ohm min. at 500 VDC  
(between frame and terminal)

**DIELECTRIC STRENGTH :**

5mA max. at 500 VAC 60Hz one minute  
(between frame and terminal)

**FUNCTION :**

auto-restart option  
frequency generator or rotation detection signal option

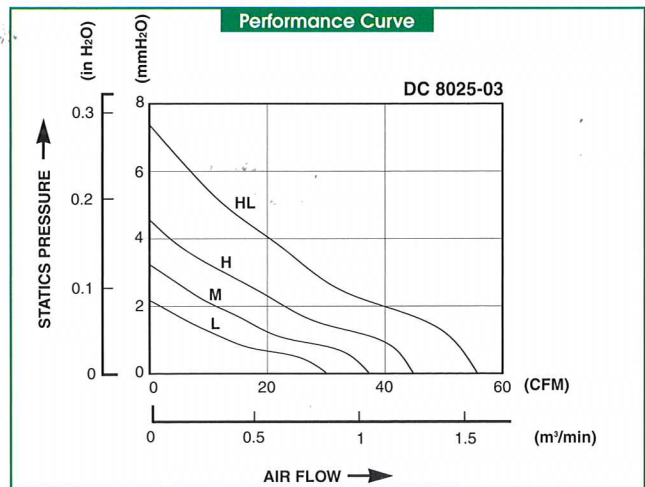
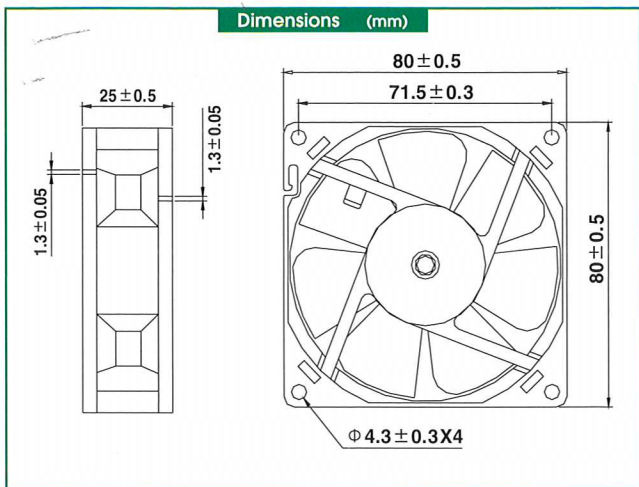
**WEIGHT :**

85 grams

**Specifications**

Specifications are subject to change without notice

MODEL NO.	BEARING	RATED VOLTAGE	OPERATING VOLTAGE RANGE	RATED CURRENT	RATED INPUT POWER	SPEED R.P.M.	MAX. AIR FLOW		MAX. AIR PRESSURE		NOISE dB-A
		VDC	V	A	W		m <sup>3</sup> /min	CFM	mmH <sub>2</sub> O	IN H <sub>2</sub> O	
BP802524L-03	Ball	24	20.4-27.6	0.12	2.88	2100	0.8	26.4	2.1	0.9	23.7
SP802524L-03	Sleeve										
BP802524M-03	Ball	24	20.4-27.6	0.17	4.08	2700	1.0	34.0	3.2	0.1	32.0
SP802524M-03	Sleeve										
BP802524H-03	Ball	24	20.4-27.6	0.21	5.04	3300	1.2	41.4	4.4	0.2	36.8
SP802524H-03	Sleeve										
BP802524HL-03	Ball	24	20.4-27.6	0.25	6.00	4000	1.5	52.5	7.1	0.3	41.9
SP802524HL-03	Sleeve										
BP802548M-03	Ball	48	40.8-55.2	0.12	5.76	2700	1.0	34.0	3.2	0.1	32.0
SP802548M-03	Sleeve										
BP802548H-03	Ball	48	40.8-55.2	0.15	7.20	3300	1.2	41.4	4.4	0.2	36.8
SP802548H-03	Sleeve										
BP802548HL-03	Ball	48	40.8-55.2	0.18	8.64	4000	1.5	52.5	7.1	0.3	41.9
SP802548HL-03	Sleeve										



# Mouser Electronics

Authorized Distributor

Click to View Pricing, Inventory, Delivery & Lifecycle Information:

## Bi-Sonic:

[BP802512L-03](#) [SP802512L-03](#) [BP802512M-03](#) [SP802512M-03](#) [BP802512H-03](#) [SP802513H-03](#) [BP802512HL-03](#)  
[SP802512HL-03](#) [BP802524L-03](#) [SP802524L-03](#) [BP802524M-03](#) [SP802524M-03](#) [BP802524H-03](#) [SP802524H-03](#)  
[BP802524HL-03](#) [SP802524HL-03](#) [BP802548M-03](#) [SP802548M-03](#) [BP802548H-03](#) [SP802548H-03](#) [BP802548HL-03](#)  
[SP802548HL-03](#)